

HEJNY *Rental*

Contractor, Lawn & Garden, and Party Equipment Rentals

1829 White Bear Ave. - Maplewood, MN 55109

Phone: 651-770-3841 – Fax: 651-770-1725

www.hejnyrental.com

T500 JLG Articulated Towable Boomlift

NOTE: THE DAMAGE WAIVER DOES NOT COVER ANY DAMAGE CAUSED BY TREE OR BRANCH REMOVAL.

NOTE: THE BOOMLIFT MUST BE DETACHED FROM THE TOWING VEHICLE BEFORE SETUP AND OPERATION!

GENERAL PRECAUTIONS

This section outlines the necessary precautions for towing and also proper and safe machine operation and maintenance.

The owner/user/operator/lessor/lessee of the machine should not operate the machine until the manual has been read, training is accomplished, and operation of the machine has been completed under the supervision of an experienced and qualified operator.

WARNING

FAILURE TO COMPLY WITH THE SAFETY PRECAUTIONS LISTED IN THIS MANUAL COULD RESULT IN MACHINE DAMAGE, PROPERTY DAMAGE, PERSONAL INJURY OR DEATH.

OPERATOR TRAINING AND KNOWLEDGE

- Read and understand this manual before towing or operating the machine.
- Do not tow or operate this machine until complete training is performed by authorized persons.
- Only authorized and qualified personnel can operate the machine.
- Read, understand, and obey all DANGERS, WARNINGS, CAUTIONS, and operating instructions on the machine and in this manual.
- Use the machine in a manner which is within the scope of its intended application set by JLG.
- All operating personnel must be familiar with the emergency controls and emergency operation of the machine as specified in this manual.
- Read, understand, and obey all applicable employer, local, and governmental regulations as they pertain to towing and operation of the machine.

BEFORE OPERATING THE LIFT

WORKPLACE INSPECTION

- The operator is to take safety measures to avoid all hazards in the work area prior to machine operation.
- Do not operate or raise the platform while on trucks, trailers, railway cars, floating vessels, scaffolds or other equipment unless approved in writing by JLG.
- Do not operate the machine in hazardous environments unless approved for that purpose by JLG.

Need It. Rent It!

- Be sure that the ground conditions are able to support the maximum load shown on the decals located on the machine.

MACHINE INSPECTION

- Before machine operation, perform inspections and functional checks. Refer to Section 2 of this manual for detailed instructions.
- Do not operate this machine until it has been serviced and maintained according to requirements specified in the Service and Maintenance Manual.
- Be sure the enable trigger and all other safety devices are operating properly. Modification of these devices is a safety violation.

OPERATION

GENERAL

- Do not use the machine for any purpose other than positioning personnel, their tools, and equipment unless using the optional JLG Material Hook attachment.
- Never operate a machine that is not working properly. If a malfunction occurs, shut down the machine.
- Never slam a control switch or lever through neutral to an opposite direction. Always return switch to neutral and stop before moving the switch to the next function. Operate controls with slow and even pressure.
- Hydraulic cylinders should never be left fully extended for long periods off-time.
- Do not allow personnel to tamper with or operate the machine from the ground with personnel in the platform, except in an emergency.
- Do not carry materials directly on platform railing unless approved by JLG.
- When two or more persons are in the platform, the operator shall be responsible for all machine operations.
- Always ensure that power tools are properly stowed and never left hanging by their cord from the platform work area.
- Supplies or tools which extend outside the platform are prohibited unless approved by JLG.
- Do not place boom or platform against any structure to steady the platform or to support the structure.
- Stow boom and shut off all power before leaving machine.

TRIP AND FALL HAZARDS

During operation, occupants in the platform must wear a full body harness with a lanyard attached to an authorized lanyard anchorage point. Attach only one (1) lanyard per lanyard anchorage point.

- Before operating the machine, make sure all gates are closed and fastened in their proper position.
- Keep both feet firmly positioned on the platform floor at all times. Do not climb on platform rails. Never use ladders, boxes, steps, planks, or similar items on platform to provide additional reach.
- Never use the boom assembly or the trailer structure to enter or leave the platform.
- Use extreme caution when entering or leaving platform. Be sure that the boom is telescoped out and fully lowered. Face the machine, maintain "three point contact" with the machine, using two hands and one foot or two feet and one hand during entry and exit.

ELECTROCUTION HAZARDS

- This machine is not insulated and does not provide protection from contact or proximity to electrical current.
- Maintain safe distance from electrical lines, apparatus, or any energized (exposed or insulated) parts.
- Allow for machine movement and electrical line swaying.

Need It. Rent It!

- Maintain a clearance of at least 10 ft. (3m) between any part of the machine and its occupants, their tools, and their equipment from any electrical line or apparatus carrying up to 50,000 volts. One foot additional clearance is required for every additional 30,000 volts or less.
- The minimum approach distance may be reduced if insulating barriers are installed to prevent contact, and the barriers are rated for the voltage of the line being guarded. These barriers shall not be part of (or attached to) the machine. The minimum approach distance shall be reduced to a distance within the designed work-ing dimensions of the insulating barrier. This determination shall be made by a qualified person in accordance with the employer, local, or governmental requirements for work practices near energized equipment.

TIPPING HAZARDS

- The user should be familiar with the surface before operating. Do not exceed the allowable sideslope and grade while operating.
- Do not elevate platform while on a soft surface.
- Before operating on floors, bridges, trucks, and other surfaces, check allowable capacity of the surfaces.
- Never exceed the maximum platform capacity. Distribute loads evenly on platform floor.
- Do not raise the platform unless the machine is on firm sur- faces and outriggers are properly set.
- Keep the chassis and outriggers of the machine at least 2 ft. (0.6m) from holes, bumps, drop-offs, obstructions, debris, concealed holes, and other potential hazards on the floor/surface.
- Do not push or pull any object with the boom.
- Never attempt to use the machine as a crane with platform attached. Do not tie-off machine to any adjacent structure.
- Do not operate the machine when wind conditions exceed 28 mph (12.5 m/s).
- Do not increase the surface area of the platform or the load. Increase of the area exposed to the wind will decrease stability and could result in a tip -over.
- Do not increase the platform size with unauthorized platform extensions or attachments.
- If boom assembly or platform is in a position that one or more outriggers are off the ground, all persons must be removed before attempting to stabilize the machine. Use cranes, forklift trucks, or other appropriate equipment to stabilize machine.

CRUSHING AND COLLISION HAZARDS

- Approved head gear must be worn by all operating and ground personnel.
- Check work area for clearances overhead, on sides, and bottom of platform when lifting or lowering platform and driving.
- During operation, keep all body parts inside platform railing.
- Always post a lookout when driving in areas where vision is obstructed.
- Keep non-operating personnel at least 6 ft. (1.8m) away from machine during all operations.
- Under all travel conditions, the operator must limit travel speed according to conditions of ground surface, congestion, visibility, slope, location of personnel, and other factors causing hazards of collision or injury to personnel.
- Exercise extreme caution at all times to prevent obstacles from striking or interfering with operating controls and persons in the platform.
- Be sure that operators of other overhead and floor level machines are aware of the aerial work platform's presence. Disconnect power to overhead cranes.
- Warn personnel not to work, stand, or walk under a raised boom or platform. Position barricades on floor if necessary.

LIFTING AND HAULING

- Never allow personnel in platform while towing, lifting, or hauling the machine.

Need It. Rent It!

- Ensure boom is in the stowed position and the transportation latch is locked prior to towing, lifting or hauling. The platform must be completely empty.
- When lifting machine, lift only at designated areas of the machine. Lift the unit with equipment of adequate capacity.
- Refer to the Machine Operation section of this manual for lifting information.

TOWING HAZARDS

Safe and proper usage of the trailer mounted boom lift is essential to avoid accidents. Unsafe use; separation of trailer mounted boom lift from tow vehicle or loss of control of the trailer mounted boom lift or trailer/tow vehicle combination could result in death or serious injury.

NOTICE

DO NOT OPERATE THE MACHINE WHEN WIND CONDITIONS EXCEED 28 MPH.

WARNING

TO AVOID SERIOUS INJURY, DO NOT OPERATE MACHINE IF ANY CONTROL LEVERS OR TOGGLE SWITCHES CONTROLLING THE PLATFORM MOVEMENT DO NOT RETURN TO THE OFF OR NEUTRAL POSITION WHEN RELEASED.

1. Power/Emergency Stop

A two-position red mushroom shaped switch supplies power to PLATFORM Controls when pulled out (on). The switch must be twisted clockwise to pull it out. When pushed in (off), power is shut off to the platform controls.

Within about 2 seconds of pulling the switch out, the machine will perform a diagnostic check of the various electrical circuits, and if everything is functioning correctly, the platform alarm will beep once. During this time the lights on the indicator panel will also blink once as a bulb check.

WARNING

TO AVOID FORWARD OR BACKWARD TIPPING, DO NOT OVERLOAD MACHINE OR OPERATE THE MACHINE ON AN OUT-OF-LEVEL SURFACE.

CAUTION

IF ENGINE FAILS TO START PROMPTLY, DO NOT CRANK FOR AN EXTENDED TIME. SHOULD ENGINE FAIL TO START AGAIN, ALLOW STARTER TO "COOL OFF" FOR 2-3 MINUTES. IF ENGINE FAILS AFTER SEVERAL ATTEMPTS, REFER TO ENGINE MAINTENANCE MANUAL.

CAUTION

ALLOW ENGINE TO WARM-UP FOR A FEW MINUTES AT LOW SPEED BEFORE APPLYING ANY LOAD.

NOTICE

WHEN SWINGING THE BOOM MAKE SURE THERE IS AMPLE ROOM FOR THE BOOM AND UPRIGHT TO CLEAR SURROUNDING WALLS, PARTITIONS AND EQUIPMENT.

Need It. Rent It!

HEJNY *Rental*

Contractor, Lawn & Garden, and Party Equipment Rentals
1829 White Bear Ave. - Maplewood, MN 55109
Phone: 651-770-3841 – Fax: 651-770-1725
www.hejnyrental.com

1. I understand that I am responsible for all repairs necessary that are caused by tree damage.

Signature _____

2. I understand that I am responsible for all repairs necessary that are caused by towing the boomlift with the emergency brake engaged.

Signature _____

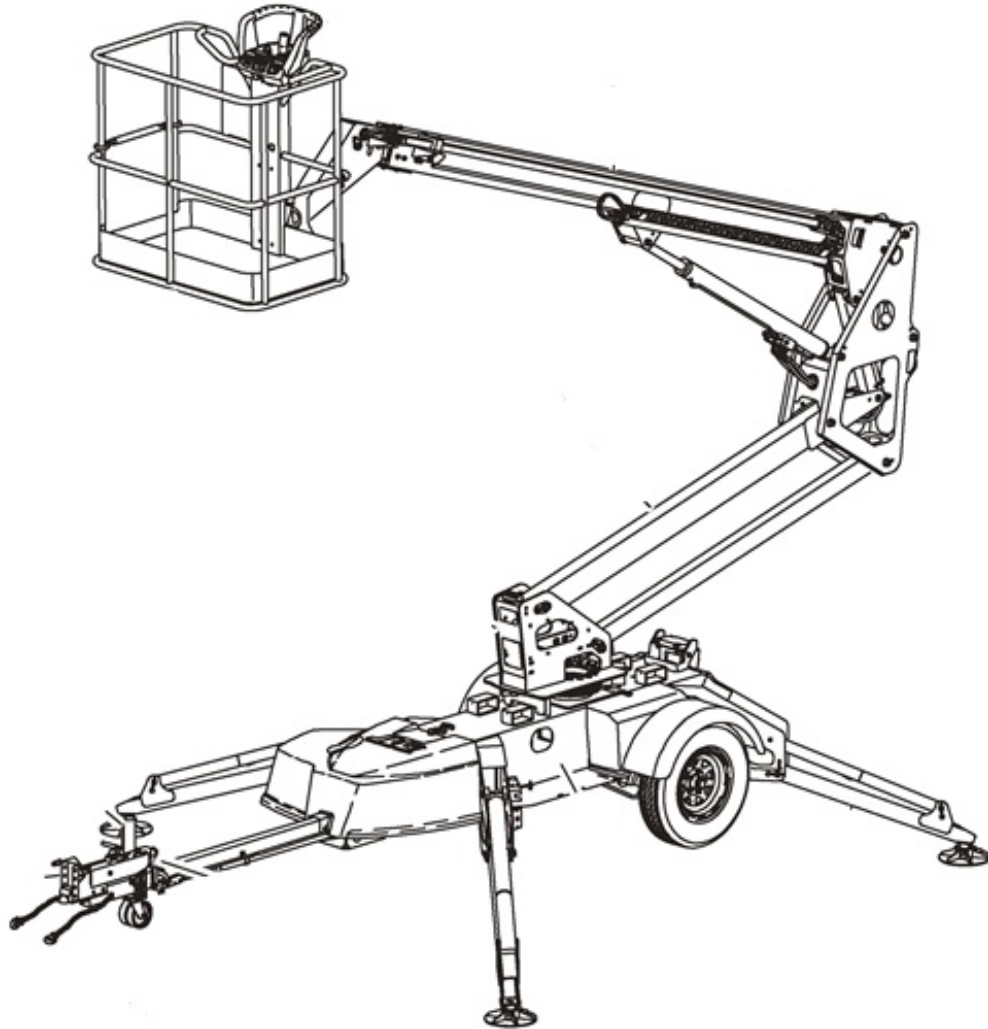
Need It. Rent It!

Need It. Rent It!

HEJNY *Rental*

Contractor, Lawn & Garden, and Party Equipment Rentals
1829 White Bear Ave. - Maplewood, MN 55109
Phone: 651-770-3841 – Fax: 651-770-1725
www.hejnyrental.com

HEJNY RENTAL JLG T500J
BOOMLIFT DAMAGE INSPECTION



Parking Brake is disengaged _____

Breakaway Cables are attached _____

Signature _____

Date _____

Need It. Rent It!